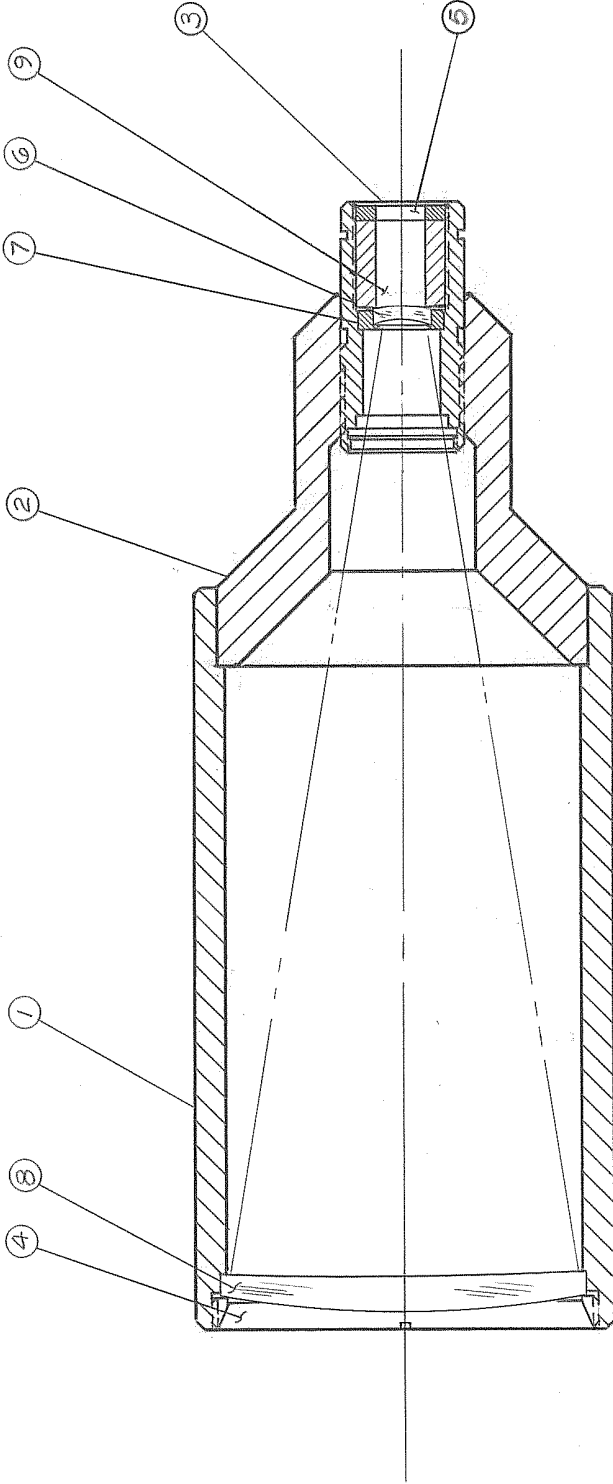


REVISIONS

ALT	DESCRIPTION	BY	CHK	ENG
A	ADDED ⑨ A10778 SPACER TO DWG. AND PARTS LIST	22	Nov	82



IDENT. NO.	REQ. PART NO.	DESCRIPTION
9	A10778	SPACER
8	A10701	POS. LENS ELEMENT
7	A10712	LENS SEAT
6	A10702	EYE LENS
5	A10643-3	RETAINING RING
4	A10711	RETAINING RING
3	B10705	INPUT LENS BARREL
2	B10362	BARREL EXTENSION
1	B10704	LENS BARREL

REMOVE BURRS, BREAK SHARP EDGES
TOLERANCES UNLESS SPECIFIED
ANGLE: ±
DEC. .00 ±
DEC. .000 ±

TITLE
BEAM EXPANDER 10X
53-76-10X-10.6

NO. REGD. 18,312

SCALE FULL

WEIGHT

DRAWN ENGINEER

CHECKED ENGINEER

ASSEMBLY

DRAWING NUMBER 10700-2

REV SHEET 2 OF 2

SPECIAL OPTICS