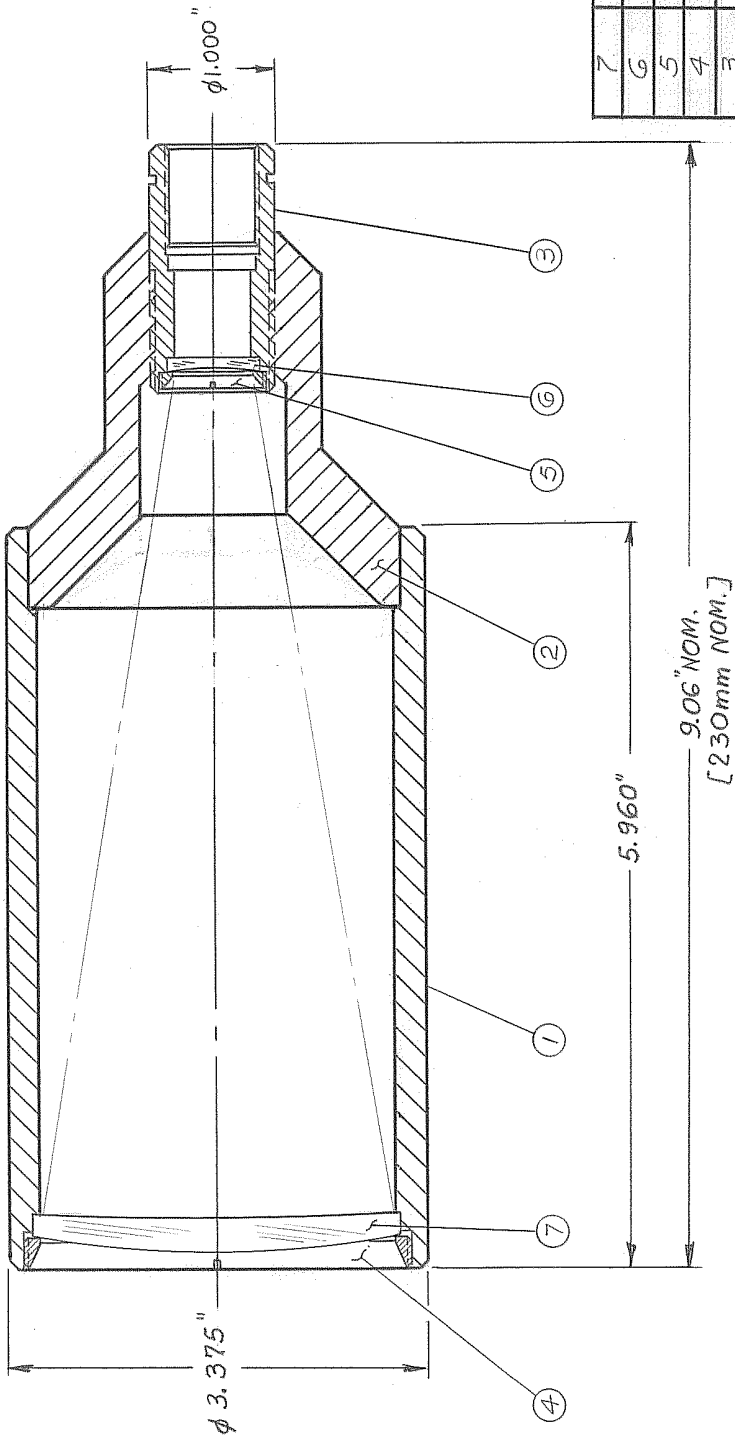


REVISIONS

ALT	DESCRIPTION	BY	CHK	ENG



IDENT.	NO. REQ.	PART NO.	DESCRIPTION
7	1	A10701	POS. LENS ELEMENT
6	1	A10703	EYE LENS
5	1	A10643-4	RETAINING RING
4	1	A10711	RETAINING RING
3	1	B10705	INPUT LENS BARREL
2	1	B10362	BARREL EXTENSION
1	1	B10704	LENS BARREL

REMOVE BURRS, BREAK SHARP EDGES
TOLERANCES UNLESS SPECIFIED
ANGLE: ±
DEC. .00 ±
DEC. .000 ±

TITLE
BEAM EXPANDER 5X
53-76-5X-10.6

NO. REQ. 14
NEXT ASSEMBLY
DRAWN BY J.L.
CHECKED BY
ENGINEER
SCALE FULL
WEIGHT

SPECIAL OPTICS

DRAWING NUMBER
10700-1

REV
SHEET 1 OF 2